

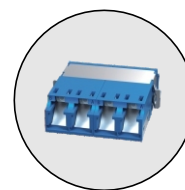


# MPB6 MPO/LC/CS/SN/MDC Cassette

Pre-terminated Modular Cassette System



- 100G upgrade to 400G/800G
- High-density fiber optic cabling
- Supports fusion patching, splicing, and adapter panel, TAP



Optional Dust Shutter Adapter

## MPB6 Cassettes(MPO-LC)



8F(LC)



12F(LC)



16F(LC)



24F(LC)

Product Constructions	
<b>Fiber Count</b>	8 Fibers,12 Fibers,16 Fibers,24 Fibers
<b>Fiber Mode</b>	Single Mode: G657A1/G657A2
	Multimode: OM3/OM4/OM5
<b>Polarity Type</b>	Type A; Type B
<b>Front Connector</b>	Single Mode: LC Connector UPC/APC (UPC:Blue/APC:Green)
	Multimode: LC Connector UPC (OM3:Aqua/OM4:Violet/OM5:Lime Green)
<b>Rear Connector</b>	Single Mode: MPO/MTP APC/PC Male
	Multimode: MPO/MTP PC Male
<b>Material</b>	Plastic
<b>Dimensions (WxDxH) No Adapter</b>	8 Fibers Cassettes: 60mm × 105mm × 11.4mm
	12 Fibers Cassettes: 90mm × 130mm × 11.4mm
	16 Fibers Cassettes: 127.5mm × 130mm × 11.4mm
	24 Fibers Cassettes: 187.5mm × 130mm × 11.4mm

Performance Properties	
<b>Front Connector Insertion Loss</b>	SM:UPC≤0.3dB;APC≤0.3dB
	MM:UPC≤0.2dB
<b>Front Connector Return Loss</b>	SM:UPC≥50dB,APC≥60dB;MM:UPC≥35dB
<b>Rear Connector Insertion Loss</b>	MPO(SM:APC≤0.35dB;MM:PC≤0.35dB)
	MTP(SM:APC≤0.35dB;MM:PC≤0.35dB)
<b>Rear Connector Return Loss</b>	MPO(SM:APC≥60dB,PC≥50dB;MM:PC≥25dB)
	MTP(SM:APC≥60dB;MM:PC≥35dB);

**Note:**SM:Single Mode,MM:Multimode

# MPB6 Cassettes(MPO-CS)



12F(CS)

Product Constructions	
<b>Fiber Count</b>	12 Fibers
<b>Fiber Mode</b>	Single Mode: G657A1/G657A2
	Multimode: OM3/OM4/OM5
<b>Polarity Type</b>	Type A; Type B
<b>Front Connector</b>	Single Mode: CS Connector UPC/APC (UPC:Blue/APC:Green)
	Multimode: CS Connector UPC (OM3:Aqua/OM4:Violet/OM5:Lime Green)
<b>Rear Connector</b>	Single Mode: MPO/MTP APC/PC Male
	Multimode: MPO/MTP PC Male
<b>Material</b>	Plastic
<b>Dimensions (WxDxH) No Adapter</b>	12 Fibers Cassettes: 60mm × 105mm × 11.4mm

Performance Properties	
<b>Front Connector Insertion Loss</b>	SM:UPC≤0.3dB;APC≤0.3dB
	MM:UPC≤0.2dB
<b>Front Connector Return Loss</b>	SM:UPC≥50dB,APC≥60dB;MM:UPC≥35dB
<b>Rear Connector Insertion Loss</b>	MPO(SM:APC≤0.35dB;MM:PC≤0.35dB)
	MTP(SM:APC≤0.35dB;MM:PC≤0.35dB)
<b>Rear Connector Return Loss</b>	MPO(SM:APC≥60dB,PC≥50dB;MM:PC≥25dB)
	MTP(SM:APC≥60dB;MM:PC≥35dB);

**Note:**SM:Single Mode,MM:Multimode

## MPB6 Cassettes(MPO-SN)



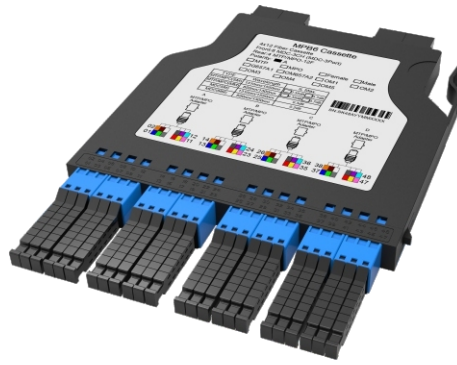
16F(SN)

Product Constructions	
<b>Fiber Count</b>	16 Fibers
<b>Fiber Mode</b>	Single Mode: G657A1/G657A2
	Multimode: OM3/OM4/OM5
<b>Polarity Type</b>	Type A; Type B
<b>Front Connector</b>	Single Mode: SN Connector UPC/APC (UPC:Blue/APC:Green)
	Multimode: SN Connector UPC (OM3:Aqua/OM4:Violet/OM5:Lime Green)
<b>Rear Connector</b>	Single Mode: MPO/MTP APC/PC Male
	Multimode: MPO/MTP PC Male
<b>Material</b>	Plastic
<b>Dimensions (WxDxH) No Adapter</b>	16 Fibers Cassettes: 60mm × 105mm × 11.4mm

Performance Properties	
<b>Front Connector Insertion Loss</b>	SM:UPC $\leq$ 0.3dB;APC $\leq$ 0.3dB
	MM:UPC $\leq$ 0.2dB
<b>Front Connector Return Loss</b>	SM:UPC $\geq$ 50dB,APC $\geq$ 60dB;MM:UPC $\geq$ 35dB
<b>Rear Connector Insertion Loss</b>	MPO(SM:APC $\leq$ 0.35dB;MM:PC $\leq$ 0.35dB)
	MTP(SM:APC $\leq$ 0.35dB;MM:PC $\leq$ 0.35dB)
<b>Rear Connector Return Loss</b>	MPO(SM:APC $\geq$ 60dB,PC $\geq$ 50dB;MM:PC $\geq$ 25dB)
	MTP(SM:APC $\geq$ 60dB;MM:PC $\geq$ 35dB);

**Note:**SM:Single Mode,MM:Multimode

## MPB6 Cassettes(MPO-MDC)



48F(MDC)

Product Constructions	
<b>Fiber Count</b>	48 Fibers
<b>Fiber Mode</b>	Single Mode: G657A1/G657A2
	Multimode: OM3/OM4/OM5
<b>Polarity Type</b>	Type A
<b>Front Connector</b>	Single Mode: MDC Connector UPC/APC (UPC:Blue/APC:Green)
	Multimode: MDC Connector UPC (OM3:Aqua/OM4:Violet/OM5:Lime Green)
<b>Rear Connector</b>	Single Mode: MPO/MTP APC/PC Male
	Multimode: MPO/MTP PC Male
<b>Material</b>	Plastic
<b>Dimensions (WxDxH) No Adapter</b>	48 Fibers Cassettes: 127.5mm × 130mm × 11.4mm

Performance Properties	
<b>Front Connector Insertion Loss</b>	SM:UPC≤0.3dB;APC≤0.3dB
	MM:UPC≤0.2dB
<b>Front Connector Return Loss</b>	SM:UPC≥50dB,APC≥60dB;MM:UPC≥35dB
<b>Rear Connector Insertion Loss</b>	MPO(SM:APC≤0.35dB;MM:PC≤0.35dB)
	MTP(SM:APC≤0.35dB;MM:PC≤0.35dB)
<b>Rear Connector Return Loss</b>	MPO(SM:APC≥60dB,PC≥50dB;MM:PC≥25dB)
	MTP(SM:APC≥60dB;MM:PC≥35dB);

**Note:**SM:Single Mode,MM:Multimode

# MPB6 Cassettes(TAP)



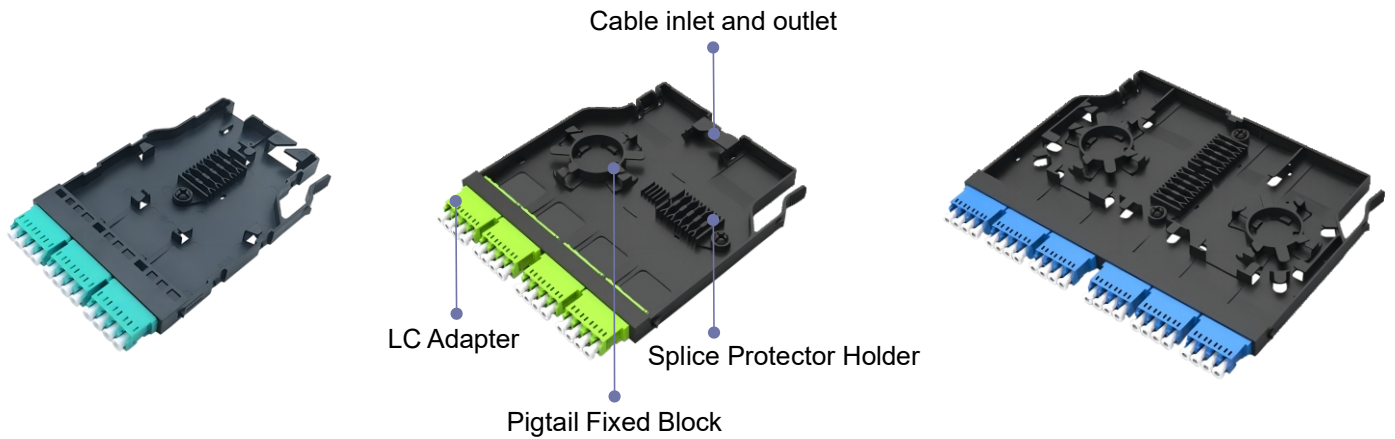
TAP Cassettes

Product Constructions	
<b>Front Ports</b>	2× LIVE Ports, 2× TAP Ports
<b>Fiber Mode</b>	Single Mode: G657A1/G657A2
	Multimode: OM3/OM4/OM5
<b>Spectral Ratio</b>	50/50
<b>Front Connector</b>	Single Mode: LC Connector UPC/APC (UPC:Blue/APC:Green)
	Multimode: LC Connector UPC (OM3:Aqua/OM4:Violet/OM5:Lime Green)
<b>Material</b>	Plastic
<b>Dimensions (WxDxH) No Adapter</b>	TAP Cassettes: 60mm × 105mm × 11.4mm

Performance Properties	
<b>Front Connector Insertion Loss</b>	SM:UPC≤0.3dB;APC≤0.3dB
	MM:UPC≤0.2dB
<b>Front Connector Return Loss</b>	SM:UPC≥50dB,APC≥60dB;MM:UPC≥35dB
<b>Spectroscopic loss (operating)</b>	4.2dB
<b>Spectroscopic loss (TAP)</b>	4.2dB

**Note:**SM:Single Mode,MM:Multimode

## MPB6S Cassettes(Splicing)



### Splice Protector Holder Selection



Heat Shrinkable  
Splice Protector Holder



Crimping  
Splice Protector Holder

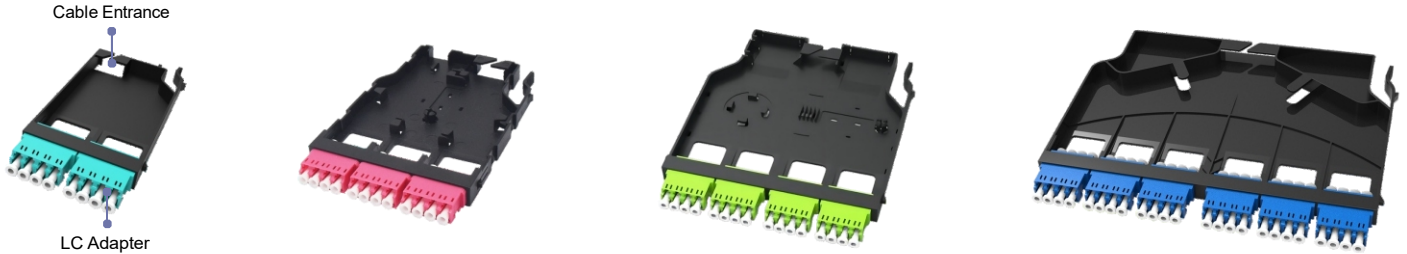
Cassettes includes pigtail

Product Constructions	
<b>Fiber Count</b>	12 Fibers/16 Fibers/24 Fibers
<b>Fiber Mode</b>	Single Mode: G657A1/G657A2
	Multimode: OM3/OM4/OM5
<b>Material</b>	Plastic
<b>Front Connector</b>	Single Mode: LC Connector UPC/APC(UPC:Blue/APC:Green)
	Multimode: LC Connector UPC(OM3:Aqua/OM4:Violet/OM5:Lime Green)
<b>Dimensions (WxDxH) No Adapter</b>	12 Fibers Cassettes: 90mm × 130mm × 11.4mm
	16 Fibers Cassettes: 127.5mm × 130mm × 11.4mm
	24 Fibers Cassettes: 187.5mm × 130mm × 11.4mm

Performance Properties	
<b>Front Connector Insertion Loss</b>	SM:UPC $\leq$ 0.3dB;APC $\leq$ 0.3dB
	MM:UPC $\leq$ 0.2dB
<b>Front Connector Return Loss</b>	SM:UPC $\geq$ 50dB,APC $\geq$ 60dB;MM:UPC $\geq$ 35dB

Note:SM:Single Mode,MM:Multimode

# MPB6P Cassettes(Panel)



Cable Entrance

LC Adapter



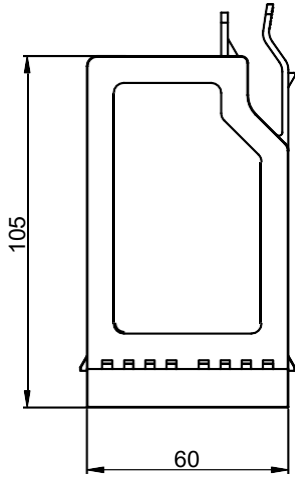
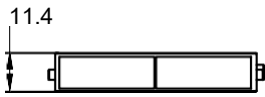
Cable Entrance

MPO/MTP Adapter

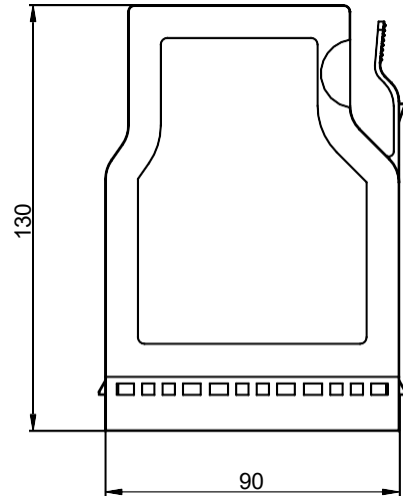
Product Constructions	
<b>Material</b>	Plastic
<b>Front Adapter</b>	LC Quad / CS 3-Channel(6F) / SN 2-Channel(8F) MPO/MTP Duplex
<b>Dimensions (WxDxH) No Adapter</b>	8 Fibers Cassettes: 60mm × 105mm × 11.4mm
	12 Fibers Cassettes: 90mm × 130mm × 11.4mm
	16 Fibers Cassettes: 127.5mm × 130mm × 11.4mm
	24 Fibers Cassettes: 187.5mm × 130mm × 11.4mm

**Note:**Dimensions are based on LC adapter cassettes

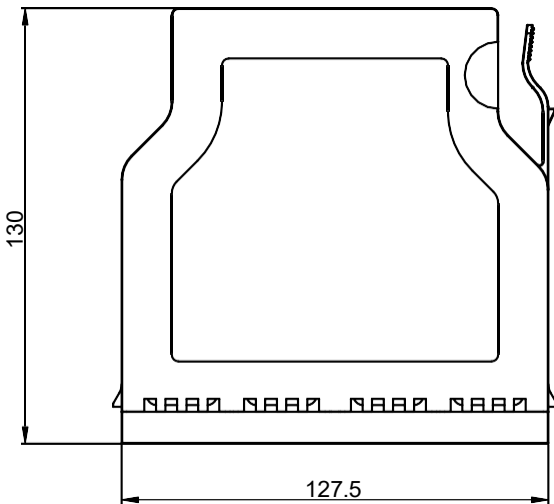
## Cassettes 2D View



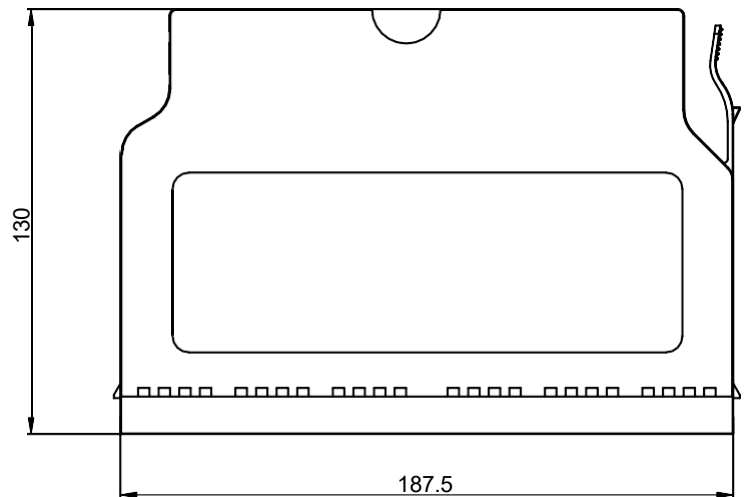
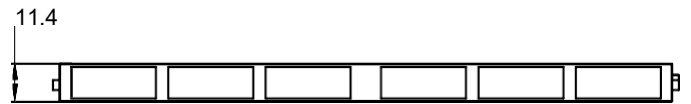
**8 Fibers LC/12 Fibers CS/16 Fibers SN**



**12 Fibers**



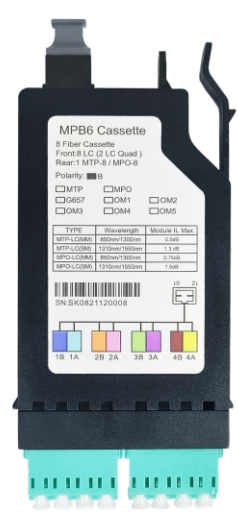
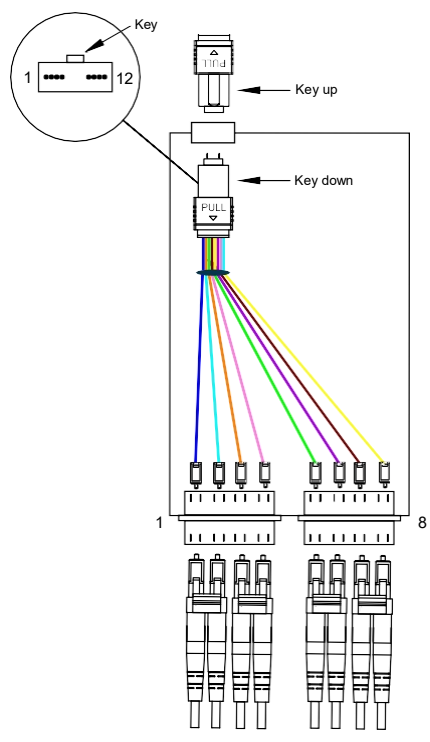
**16 Fibers**



**24 Fibers**

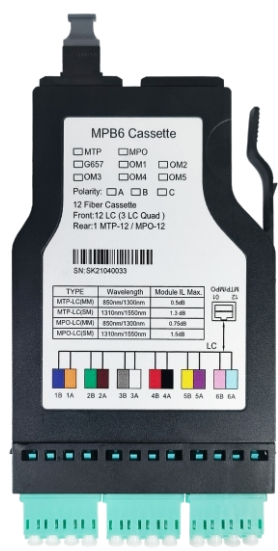
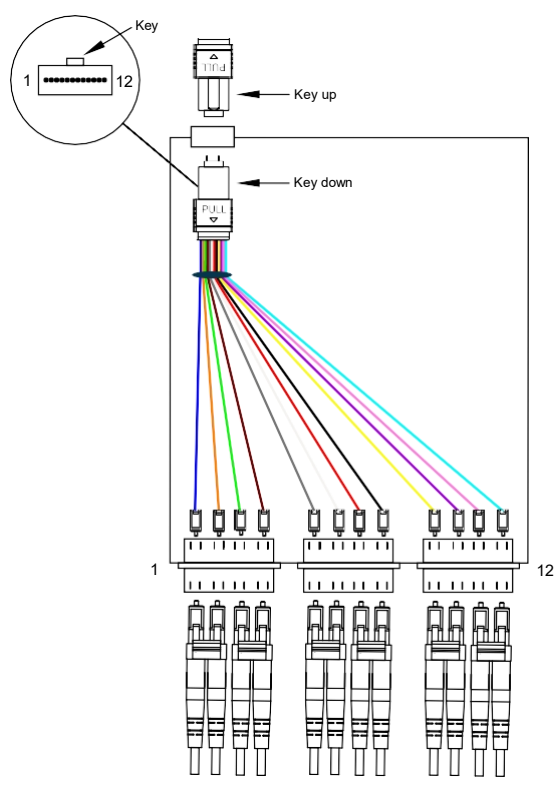
# Polarity Illustration

## 8 Cassette, Type B



MPO	1	2	3	4	5	6	7	8
LC	1	2	3	4	5	6	7	8

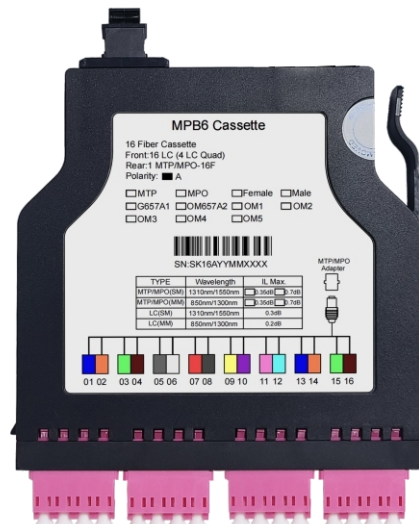
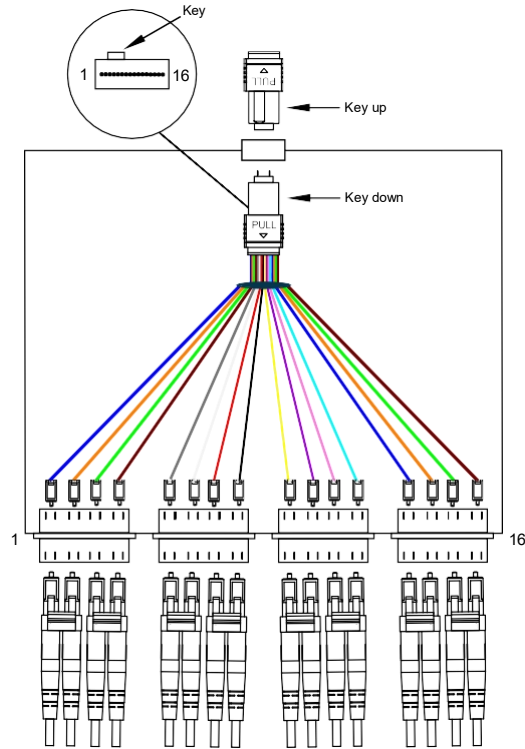
## 12 Cassette, Type A



MPO	1	2	3	4	5	6	7	8	9	10	11	12
LC	1	2	3	4	5	6	7	8	9	10	11	12

# Polarity Illustration

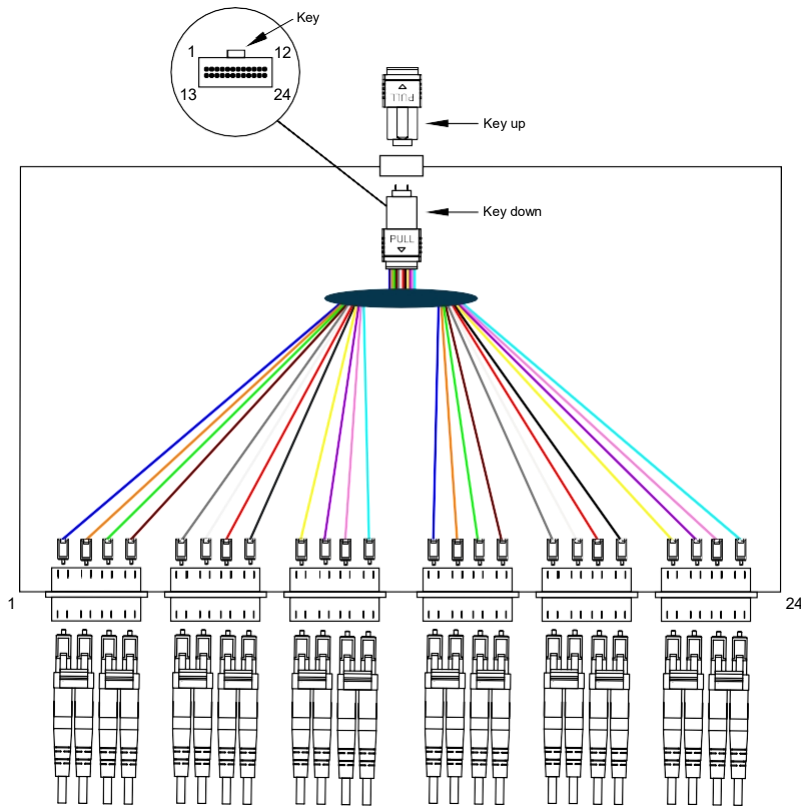
16 Cassette, Type A



A-MPO	1	2	3	4	5	6	7	8	9	10	11	12	13	14	15	16
LC	1	2	3	4	5	6	7	8	9	10	11	12	13	14	15	16

# Polarity Illustration

## 24 Cassette, Type A



MPO-Top	1	2	3	4	5	6	7	8	9	10	11	12
LC	1	2	3	4	5	6	7	8	9	10	11	12
MPO-Bottom	13	14	15	16	17	18	19	20	21	22	23	24
LC	13	14	15	16	17	18	19	20	21	22	23	24



## MPB6 Cassettes

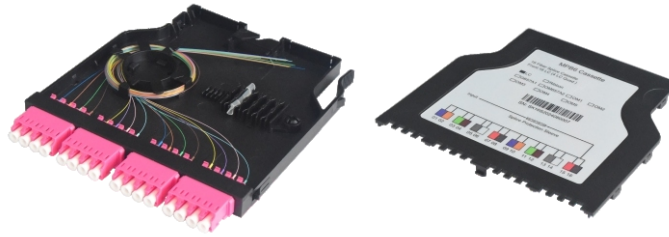
	<u>MPB6</u>	<u>12F</u>	<u>- AP</u>	<u>- P</u>	<u>- Black</u>	<u>- 1 × 12</u>	<u>- MPO/PC</u>	<u>- LC/UPC</u>	<u>- OM4</u>
	1	2	3	4	5	6	7	8	
<b>1-Model</b>	MPB6_8F, MPB6_12F, MPB6_16F, MPB6_24F								
<b>2-Configuration</b>	EM:Empty; AD:Adapter Included; AP:Fully Equipped								
<b>3-Material</b>	P:Plastic								
<b>4-Color</b>	Black								
<b>5-Cassettes Patch Cord</b>	1 × 8;1 × 12;1 × 16;1 × 24;2x12:Fiber Count								
<b>6-Rear Connector</b>	MPO/PC;MPO/APC;MTP/PC;MTP/APC								
<b>7-Front Connector</b>	LC/PC;LC/APC;CS/PC;CS/APC;SN/PC;SN/APC								
<b>8-Fiber Mode</b>	G657A1;OM3;OM4;OM5								
Note : The front end uses CS adapter and the module box uses MPB6_8F.									



## MPB6P Cassettes

	<u>MPB6P</u>	<u>12F</u>	<u>- AD</u>	<u>- P</u>	<u>- Black</u>	<u>- 3MPO/DX</u>
	1	2	3	4	5	
<b>1-Model</b>	MPB6P_8F, MPB6P_12F, MPB6P_16F, MPB6P_24F					
<b>2-Configuration</b>	EM:Empty; AD:Adapter Included					
<b>3-Material</b>	P:Plastic					
<b>4-Color</b>	Black					
<b>5-Adapter Type</b>	2~4MPO(MTP)/DX,6MPO(MTP)/DX,2~4SLD(LC Quad),6SLD					
Note: 1.LC adapter: Inline quad short ear symmetrical type; MPO/MTP adapter: SC type duplex short ear flange, 1 key end facing up, the other key end facing down.MTP is a designated product of US Conec.						
2. There are 2/3/4/6 square holes on the bottom of the panel.						

# Ordering Information



## MPB6S Cassettes

<u>MPB6S</u> <u>16F</u> - <u>AP</u> - <u>P</u> - <u>Black</u> - <u>1 × 16</u> - <u>LC/UPC</u> - <u>OM4</u> 1                      2    3                      4                      5                      6                      7	
<b>1-Model</b>	MPB6S_12F, MPB6S_16F, MPB6S_24F
<b>2-Configuration</b>	EM:Empty; AD:Adapter Included; AP:Fully Equipped
<b>3-Material</b>	P:Plastic
<b>4-Color</b>	Black
<b>5-Cassettes Patch Cord</b>	1 × 12;1 × 16;1 × 24;2x12:Fiber Count
<b>6-Front Connector</b>	LC/PC;LC/APC;SC/PC;SC/APC
<b>7-Fiber Mode</b>	G657A1;OM3;OM4;OM5
Note: 1.LC adapter: straight four-pin short lug; MPO/MTP adapter: SC type short lug flange, with one end of the key facing up and the other end facing down. 2. There are 3/4/6 square holes at the bottom of the panel.	



Shenzhen Spring Optical Communication Co.,Ltd  
 Add: 1611, Building A, Zhongan  
 Science And Technology Park,  
 Longhua District, Shenzhen,  
 Guangdong, China  
 E-mail: sales@springoptic.com  
 F-Web: www.springoptical.com