

4MD High Density Patch Panel

Pre-terminated modular cassettes system



- Modular design, drawable rail box
- 19" standard cabinet installation
- 12/24/36 fibers cassettes or adapters panel
- MPO/MTP-LC or MPO/MTP-MDC cassettes or fiber splicing tray can be used for deployment

Description

4MD is a modular, ultra-low-loss, high-density fiber distribution box platform, providing two options for customers to choose: MPO-LC cassettes or fiber splice tray. The modular design and retractable rail box provide customers with professional and reliable integrated wiring solutions, improving the connection performance of the data center wiring system. It also provides two types of module boxes with 12 or 24 fibers to increase product flexibility and create a comfortable user experience for customers.

Product Model And Appearance



Cassettes Deployment



Fiber Splicing Deployment

4MD



X3 Cassettes

- Factory pre-terminated, plug and play
- Optional 12F , 24F or 36F LC adapter, 12F SC adapter, and 48F MDC adapter
- Optional LC, SC, MDC,MPO/MTP adapters



Adapter Panel

- Can be used for direct connection between patch cords and fiber optic splicing
- Optional 12F , 24F ,36F and 48F
- Optional LC, SC, MDC,MPO/MTP adapters



Splice Tray

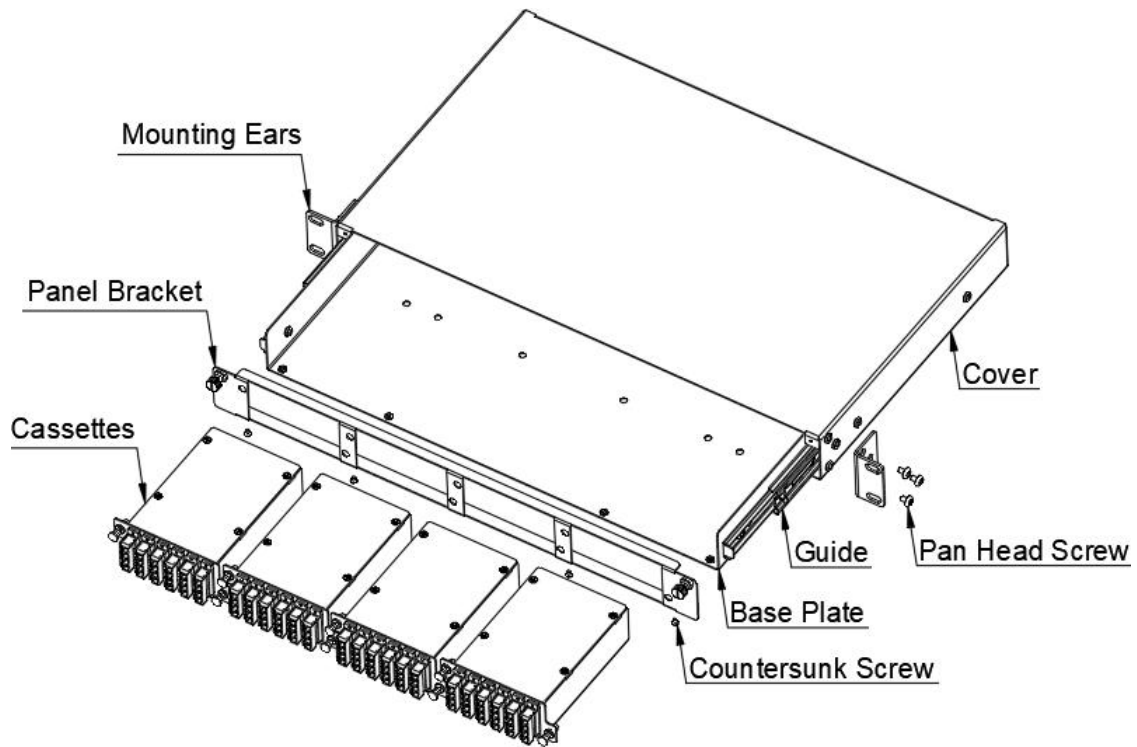
- 1U can support up to 96 cores
- The Splice Tray is made of plastic
- Layered structure, easy to operate
- Single-layer fiber splice tray can support 48 cores and can be stacked in 2 layers



Baffle Panel

- Baffle panel is covered with adapter plate.
- Materia: SPCC(Cold Rolled Steel Sheet)
- Color: Black

Patch Panel Structure



Product Specifications	
Operating Temperature	-40°C ~ +60°C
Storage Temperature	-40°C ~ +60°C
Relative Humidity	≤85%(+30 °C)
Atmospheric Pressure	70kPa ~ 106kPa
Cabinet Material	Cold Rolled Steel Plate
Dimensions(WxDxH)	483mm×260mm×1U
Fiber Count	1U-144F LC/192F MDC

X3 Cassettes(MPO-LC/SC)



12F(LC)



24F(LC)



36F(LC)

Technical Parameters	
Fiber Count	12 Fibers,24 Fibers,36 Fibers
Fiber Mode	Single Mode: G657A1/G657A2
	Multimode: OM3/OM4/OM5
Polarity Type	Type A
Front Connector	Single Mode:LC/SC(UPC:Blue/APC:Green)
	Multimode:LC/SC(OM3:Aqua/OM4:Violet/OM5:Lime Green)
Rear Connector	Single Mode:MPO/MTP APC/PC Male
	Multimode:MPO/MTP PC Male
Material	Cold Rolled Steel Sheet
Dimensions (WxDxH) No adapter	102mm×118mm×37mm

Performance Properties	
Front Connector Insertion Loss	SM:UPC≤0.3dB;APC≤0.3dB
	MM:UPC≤0.2dB
Front Connector Return Loss	SM:UPC≥50dB,APC≥60dB;MM:UPC≥35dB
Rear Connector Insertion Loss	MPO(SM:APC≤0.35dB;MM:PC≤0.35dB)
	MTP(SM:APC≤0.35dB;MM:PC≤0.35dB)
Rear Connector Return Loss	MPO(SM:APC≥60dB,PC≥50dB;MM:PC≥25dB)
	MTP(SM:APC≥60dB;MM:PC≥35dB);

Note:SM:Single Mode,MM:Multimode

X3 Cassettes(MTP-MDC)



48F(MDC)

Product Constructions	
Fiber Count	48 Fibers
Fiber Mode	Single Mode: G657A1/G657A2
	Multimode: OM3/OM4/OM5
Polarity Type	Type A
Front Connector	Single Mode: MDC Connector UPC/APC (UPC:Blue/APC:Green)
	Multimode: MDC Connector UPC (OM3:Aqua/OM4:Violet/OM5:Lime Green)
Rear Connector	Single Mode: MPO/MTP APC/PC Male
	Multimode: MPO/MTP PC Male
Material	Cold Rolled Steel Sheet
Dimensions (WxDxH) No Adapter	102mm×118mm×37mm

Performance Properties	
Front Connector Insertion Loss	SM:UPC≤0.3dB;APC≤0.3dB
	MM:UPC≤0.2dB
Front Connector Return Loss	SM:UPC≥50dB,APC≥60dB;MM:UPC≥35dB
Rear Connector Insertion Loss	MPO(SM:APC≤0.35dB;MM:PC≤0.35dB)
	MTP(SM:APC≤0.35dB;MM:PC≤0.35dB)
Rear Connector Return Loss	MPO(SM:APC≥60dB,PC≥50dB;MM:PC≥25dB)
	MTP(SM:APC≥60dB;MM:PC≥35dB);

Note:SM:Single Mode,MM:Multimode

X3 Cassettes(MPO-TAP)



2×MPO_12F Live Ports
1×MPO_12F TAP Ports



2×MPO_8F Live Ports
2×MPO_8F TAP Ports

Product Constructions	
Front Ports	2×LIVE Ports, 1×TAP Ports / 2×LIVE Ports, 2×TAP Ports
Fiber Mode	Single Mode: G657A1/G657A2
	Multimode: OM3/OM4/OM5
Spectral Ratio	50/50
Front Connector	Single Mode: MPO Connector APC/PC
	Multimode: MPO Connector PC
Material	Cold Rolled Steel Sheet
Dimensions (WxDxH) No Adapter	102mm×118mm×37mm

Performance Properties	
Front Connector Insertion Loss	MPO(SM:APC≤0.35dB;MM:PC≤0.35dB)
Front Connector Return Loss	MPO(SM:APC≥60dB,PC≥50dB;MM:PC≥25dB)
Spectroscopic loss (Live)	1×TAP Ports : 2.8dB / 2×TAP Ports : 4.4dB
Spectroscopic loss (TAP)	1×TAP Ports : 6.6dB / 2×TAP Ports : 4.4dB

Note:SM:Single Mode,MM:Multimode

X3 Cassettes(LC-TAP)



LC-TAP Cassettes(SM)



LC-TAP Cassettes(MM)

Product Constructions	
Front Ports	8 × LIVE Ports, 4 × TAP Ports
Fiber Mode	Single Mode: G657A1/G657A2
	Multimode: OM3/OM4/OM5
Spectral Ratio	70/30 ; 50/50
Front Connector	Single Mode: LC Connector UPC/APC (UPC:Blue/APC:Green)
	Multimode: LC Connector UPC (OM3:Aqua/OM4:Violet/OM5:Lime Green)
Material	Cold Rolled Steel Sheet
Dimensions (WxDxH) No Adapter	102mm×118mm×37mm

Performance Properties	
Front Connector Insertion Loss	SM:UPC≤0.3dB;APC≤0.3dB
	MM:UPC≤0.2dB
Front Connector Return Loss	SM:UPC≥50dB,APC≥60dB;MM:UPC≥35dB
Spectroscopic loss (operating)	MM:4.1dB(50/50)
Spectroscopic loss (TAP)	MM:4.1dB(50/50)

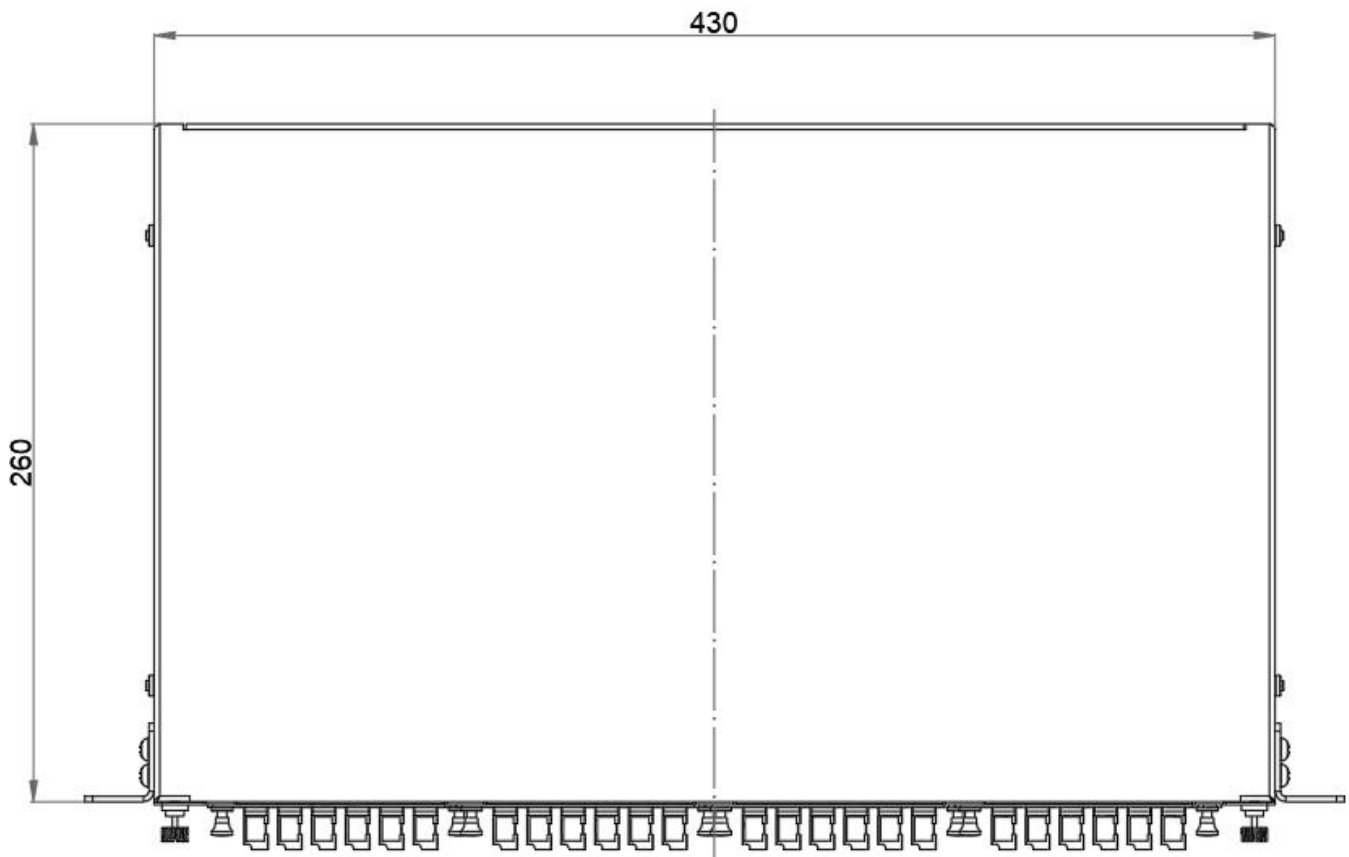
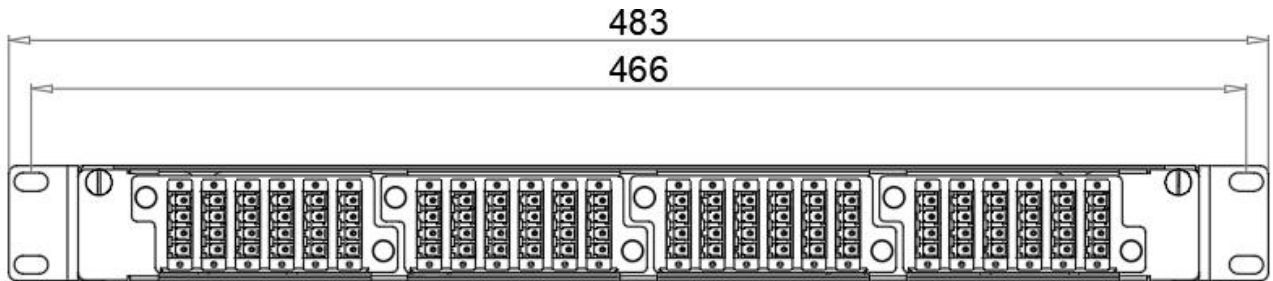
Note:SM:Single Mode,MM:Multimode

X3 Panel(Adapter Panel)



Technical Parameters	
Material	Cold Rolled Steel Sheet
Adapter type	SC Duplex LC Duplex/LC Quad MPO/MTP Duplex RJ45 Single MDC 3-Port
Dimensions(WxH) No adapter	102mm×37mm

4MD 2D View



Ordering Information



Patch Panel-4MD

4MD - EM - SP - B - 9004 - 1U	
1 2 3 4 5 6	
1-Model	4MD
2-Configuration	EM:Empty
3-Material	SP:Cold Rolled Steel Plate
4-Spray	B:Fine Sand Grain
5-Spray Color	9004:RAL9004
6-Cabinet Height	1U



Cassettes/Panel-X3

X3- AP - SP - Black - 2x12 - MPO/PC - LC/UPC - OM4	
1 2 3 4 5 6 7 8	
1-Model	X3
2-Configuration	EM:Empty; AD:Adapter Included; AP:Fully Equipped
3-Material	SP:Cold Rolled Steel Plate
4-Color	Black
5-Cassettes Patch Cord	1x12; 1x24; 2x12; 3x12; 4x12
6-Rear Adapter	MPO/PC;MPO/APC;MTP/PC;MTP/APC
7-Front Adapter	LC/PC;LC/APC;SC/PC;SC/APC;MPO/MTP;RJ45;MDC
8-Fiber Mode	G657A1;G657A2;OM3;OM4;OM5